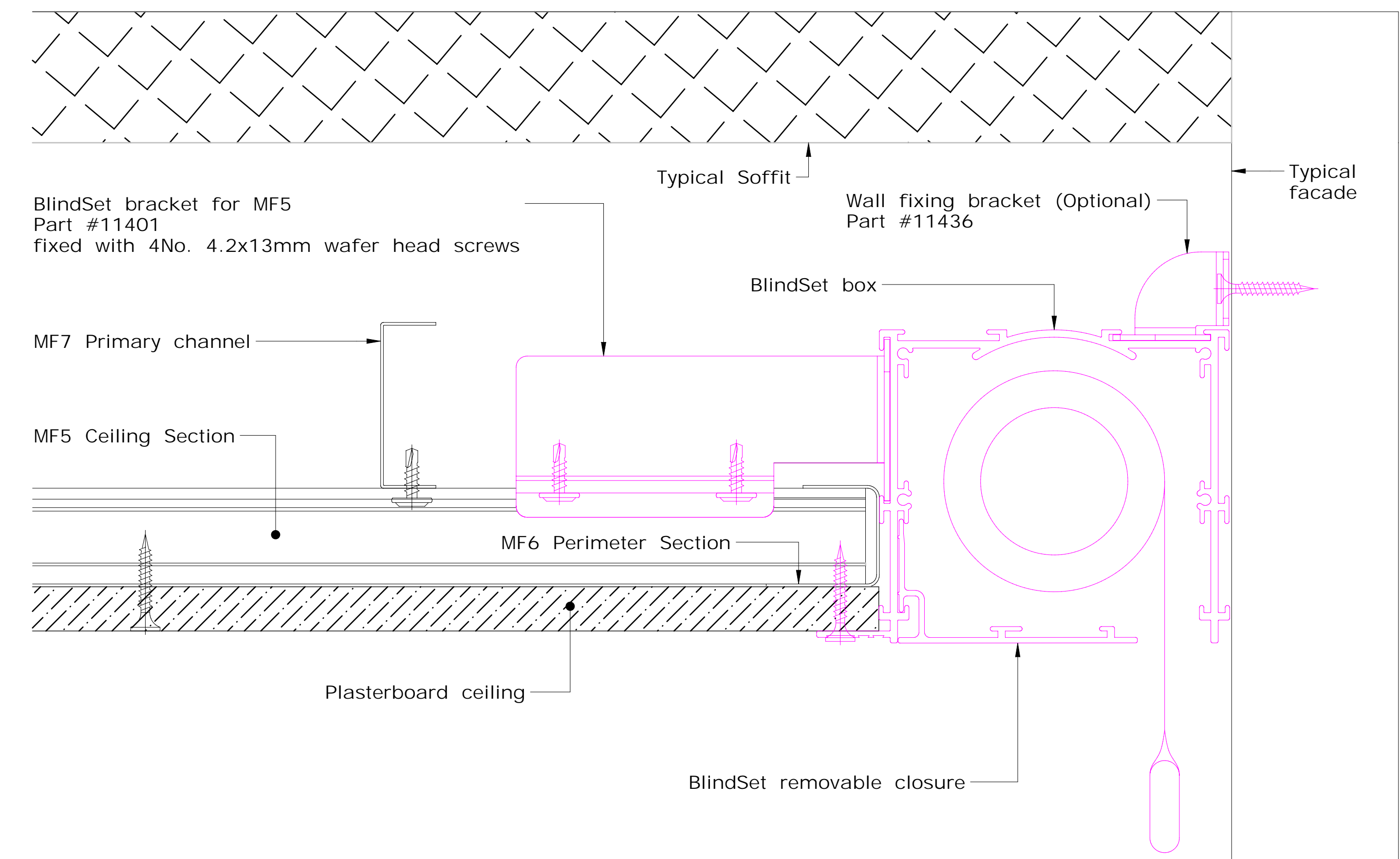
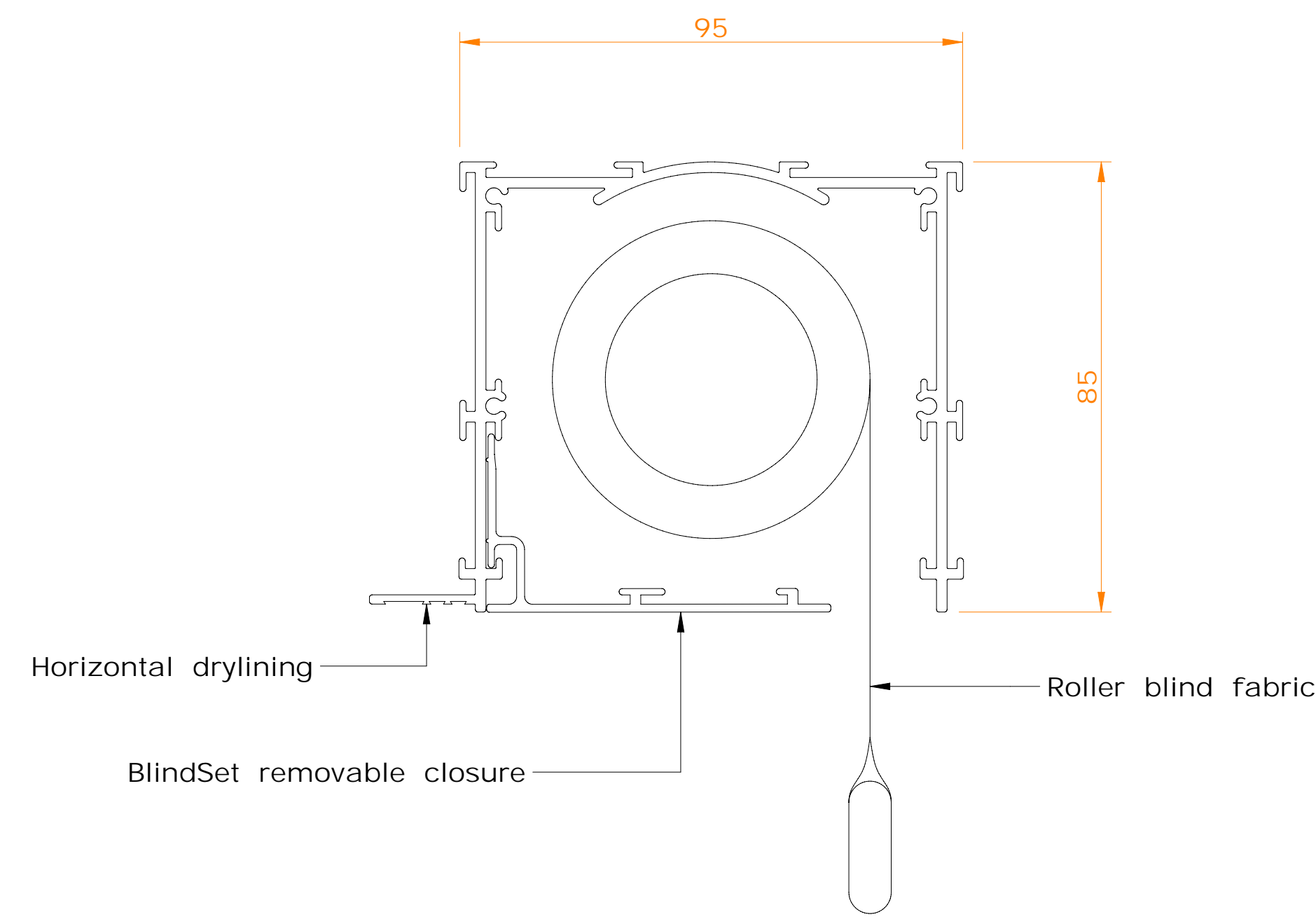


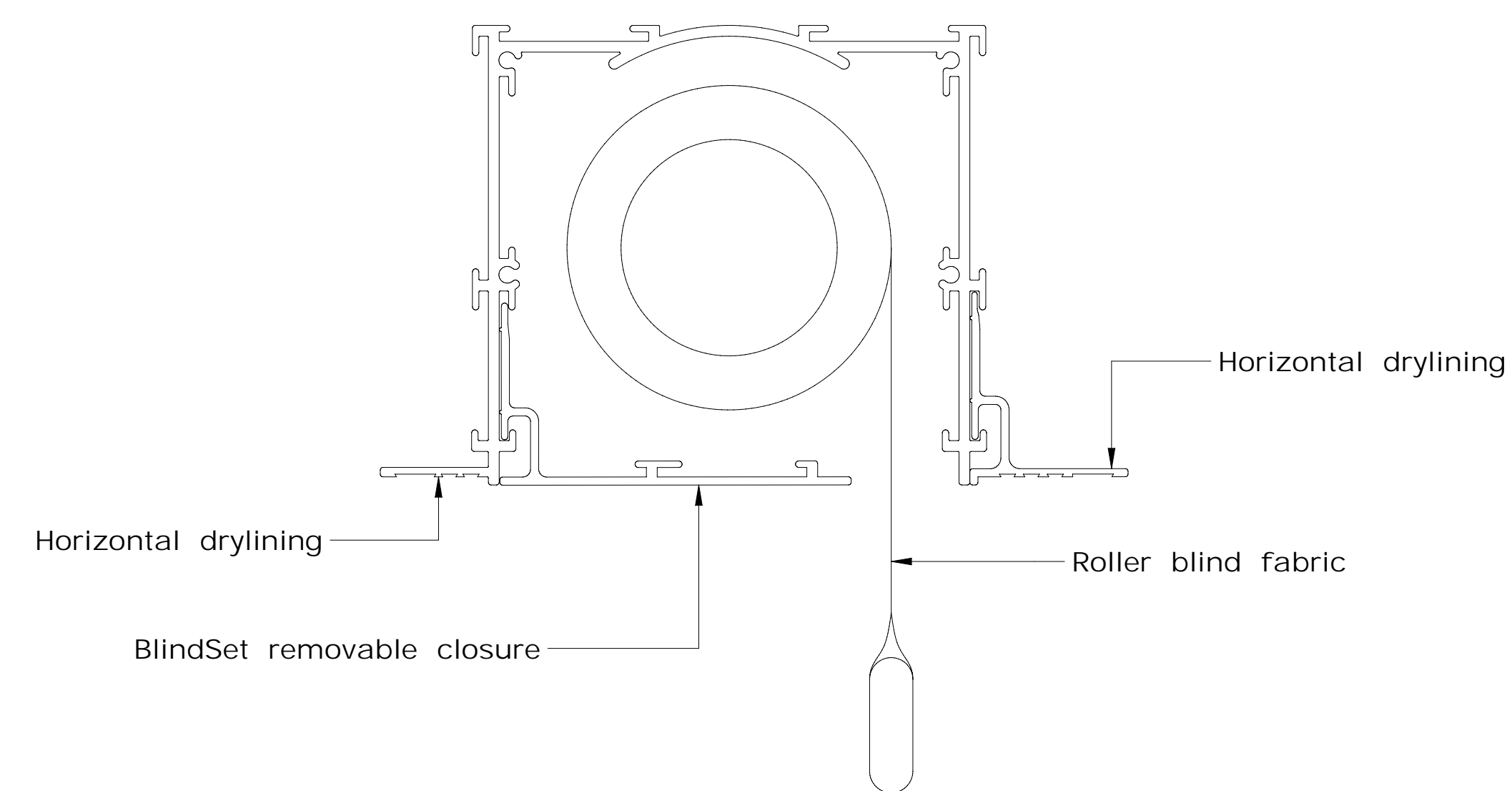
Typical BlindSet section detail for fixing to MF7 ceiling



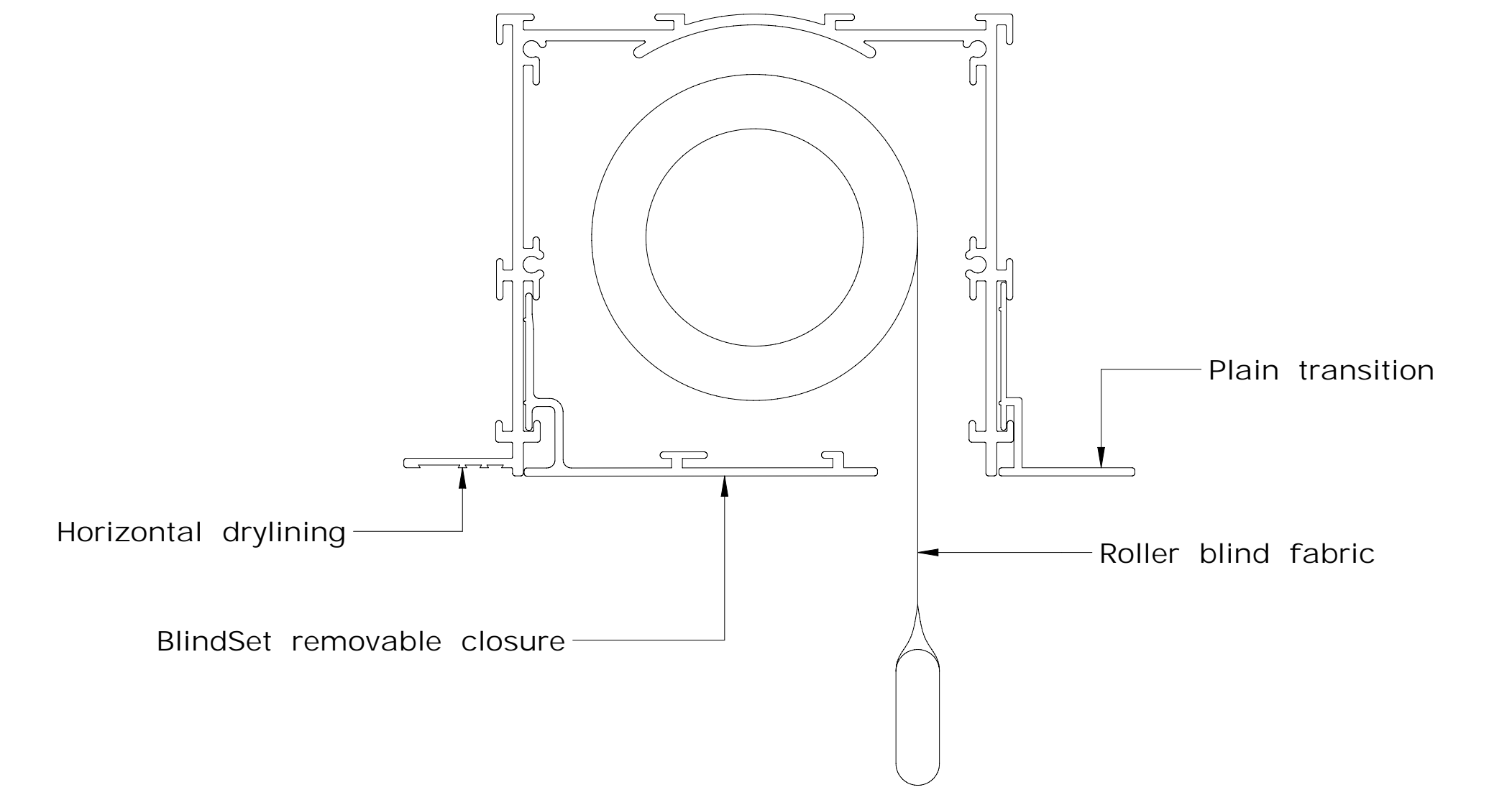
Typical BlindSet section detail for fixing to MF5 ceiling



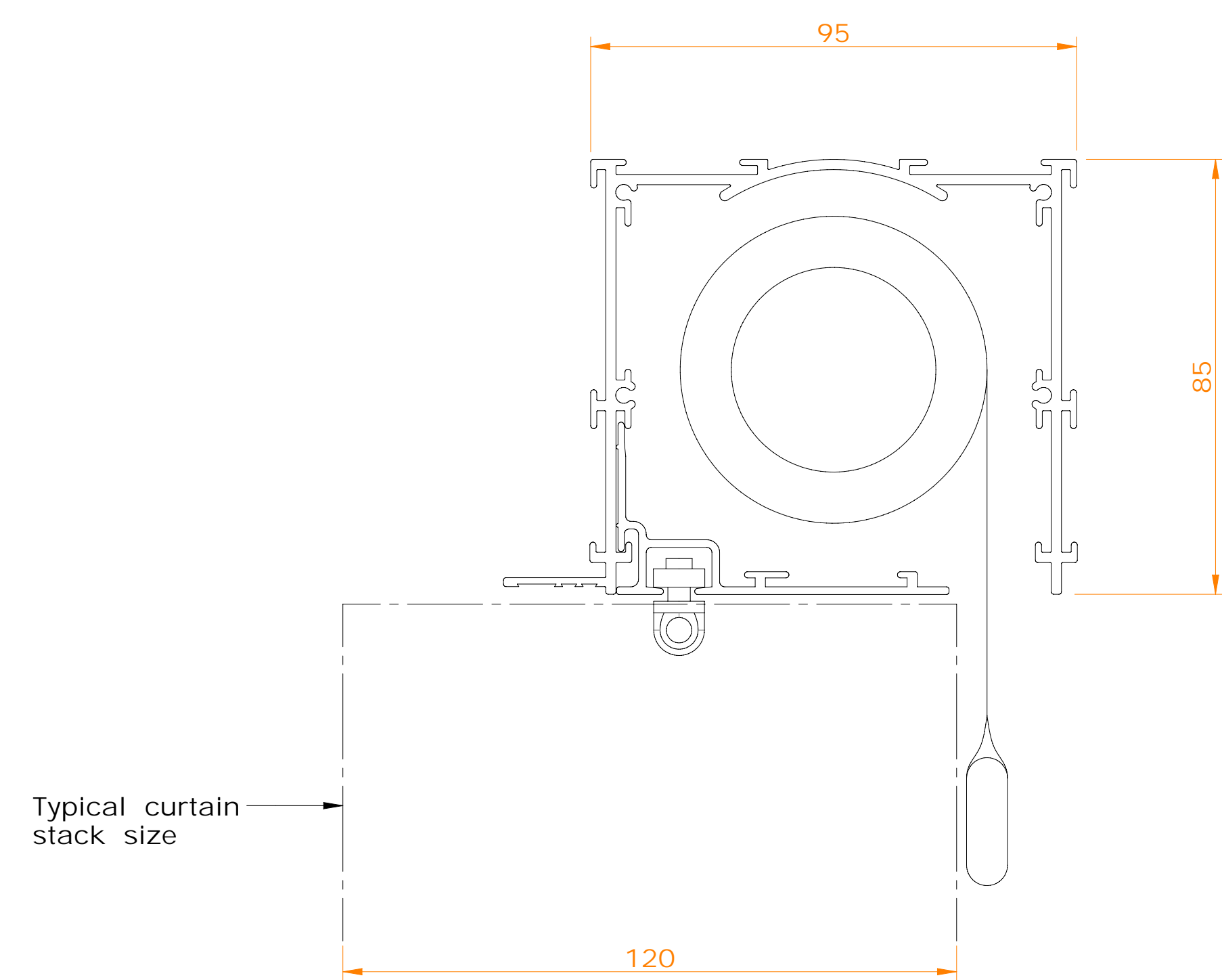
Type A - Box and Closure



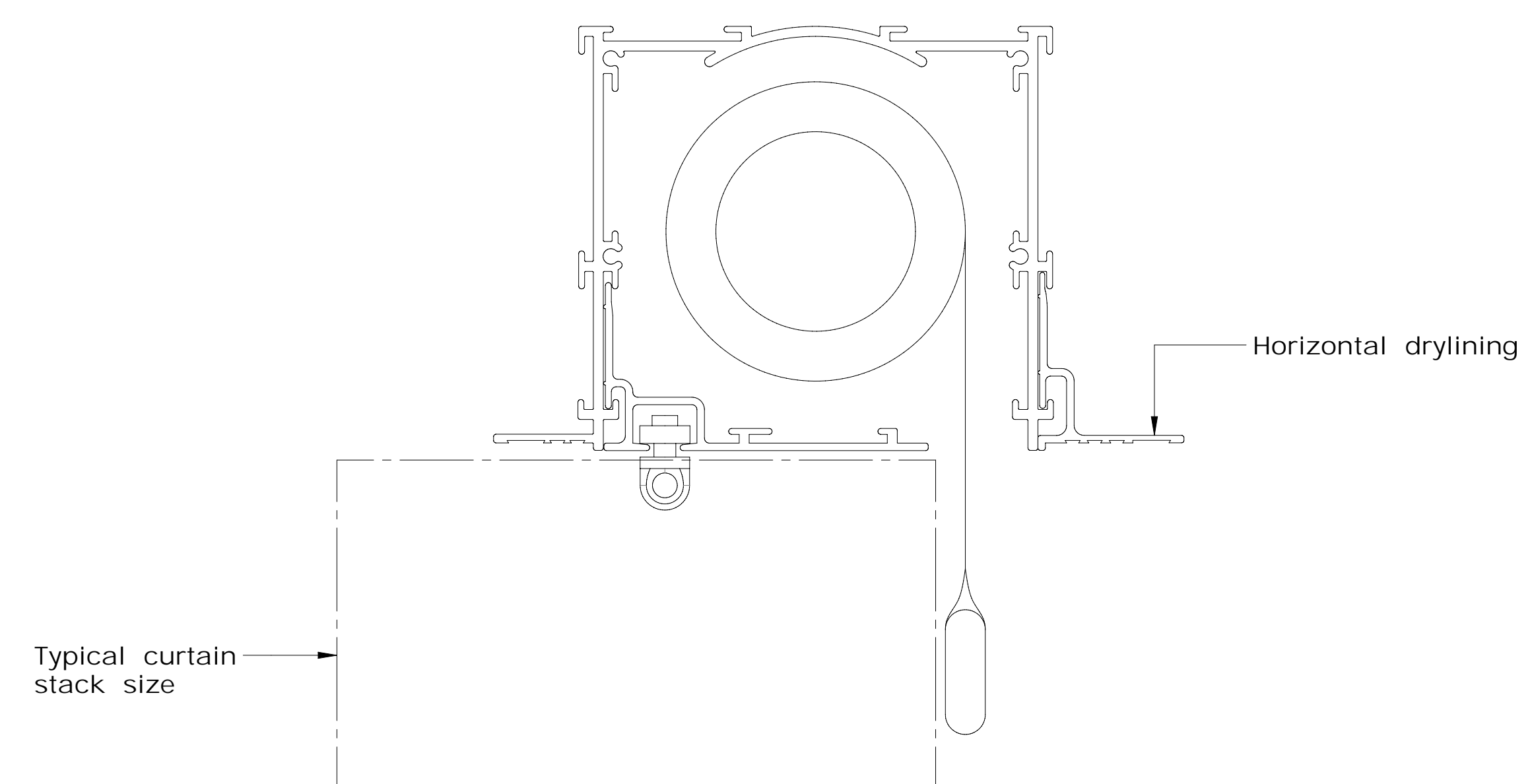
Type B - Box and Closure with additional drylining transition



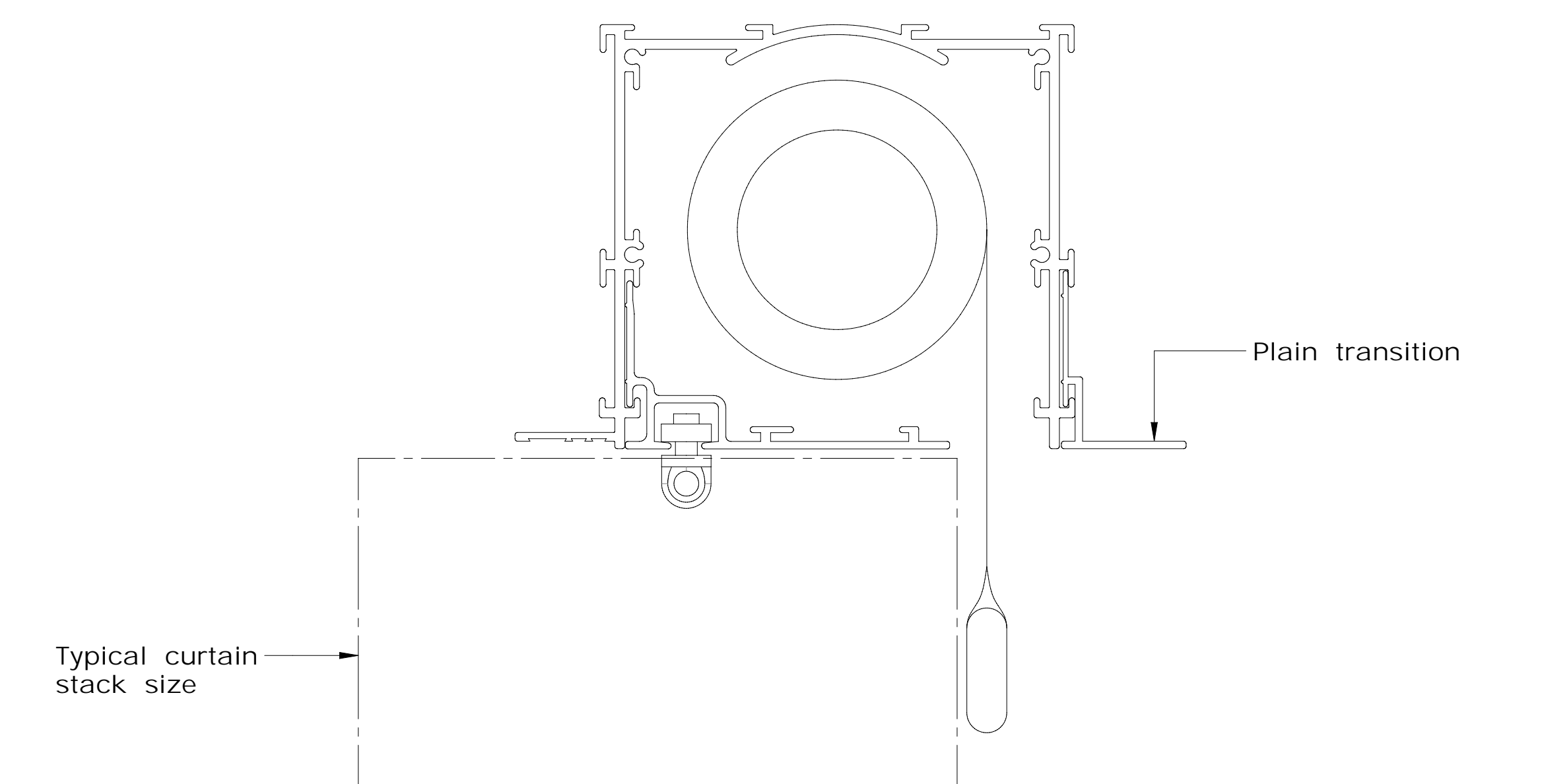
Type C - Box and Closure with additional plain transition



Type AC - Box and Closure with intergrated curtain track



Type BC - Box and Closure with intergrated curtain track and additional drylining transition




Type CC - Box and Closure with intergrated curtain track and additional plain transition

Copyright in this drawing is the property of Decor Systems Ltd. It must not be reproduced nor amended nor used for the execution of any works whether in conjunction with the proposed works for which it is prepared without the express consent of Decor Systems Ltd. Do not scale from this drawing. Any drawing errors should be brought to the attention of Decor Systems Ltd.

Notes

1. Maximum span between fixing brackets - 1500mm
2. First bracket must be located not more than 200mm from end of box

Project		BlindSet		Drawn by	GT	Date	10.03.25
Title		BlindSet section views - Ceiling fixing details		Checked by		Date	
Rev	By	Description	Date	Scale @ A0	1:1		
 Decor Systems New Street Doncaster DN1 3QU T: 01302 761122 info@decorsystems.co.uk				Copyright	2025		
				Fig No	Rev		